

Innergie

A brand of  DELTA

5100 mAh Qi2 20瓦磁吸行動電源

Portable battery with wireless charger



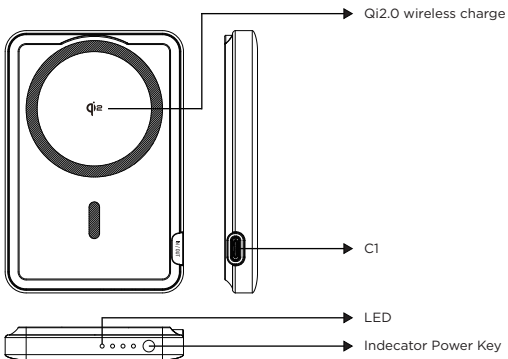
產品名稱: 5100 Qi2 20W 磁吸行動電源

型號: ABP-5100A1 WTA

製造商: 台達電子工業股份有限公司

規格:

額定電容量	5V / 3170mAh; 9V / 1760mAh; 12V / 1290mAh
額定輸入直流電壓/電流	USB-PD - 5V/9V/12V support
額定輸出直流電壓/電流	USB-PD - 5V/9V/12V support



安全與警告基本須知

以下的安全指導原則，是為了確保安全並充分發揮您Innergie產品的效能所設計的。

為確保可靠的運作：

- 請確實遵守所有操作說明及警告。
- 在操作產品之前，請仔細閱讀使用手冊中的所有指示說明。
- 請勿拆解裝置；其內部無任何可自行維修之零件，拆解裝置會使保固變為無效。
- 請勿在潮濕的環境或條件下使用本產品。
- 請勿在或靠近高溫熱源、散熱出風口使用本產品，或在直射日光下長時間使用。
產品應在溫度介於5°C - 35°C (41°F - 95°F) 的環境使用。
- 請勿以紙或其他材質覆蓋產品，否則可能會阻礙產品的冷卻功能。
- 注意：若未能妥善處理本裝置中所使用的電池，可能會造成火災或化學灼傷的危險。
請勿拆解、加熱或焚燒。請儘快棄置使用過的電池。請置於兒童無法觸及的位置。
請勿拆解，並切勿投入火中。
- 在不使用時，請每3個月將行動電源充電一次，以保持電池活化並維持較長的電池壽命。

保固及限制：

我們保證本產品從購買日期起一年期間內，在正常使用情況下無任何材質及作工的瑕疵。

在保固期間內，可將瑕疵產品退還修理或更換。

保固不涵蓋意外損壞、正常耗損、附帶損失，或是超出使用手冊中操作說明的使用方式。

在法律許可的範圍內，Innergie的最大損害責任限於更換瑕疵產品。

- 充電連接線為消耗性商品，不在保固的範圍內。

「取得審驗證明之低功率射頻器材，非經核准，公司、商號或使用者均不得擅自變更頻率、加大功率或變更原設計之特性及功能。低功率射頻器材之使用不得影響飛航安全及干擾合法通信；經發現有干擾現象時，應立即停用，並改善至無干擾時方得繼續使用。前述合法通信，指依電信管理法規定作業之無線電通信。低功率射頻器材須忍受合法通信或工業、科學及醫療用電波輻射性電機設備之干擾。」

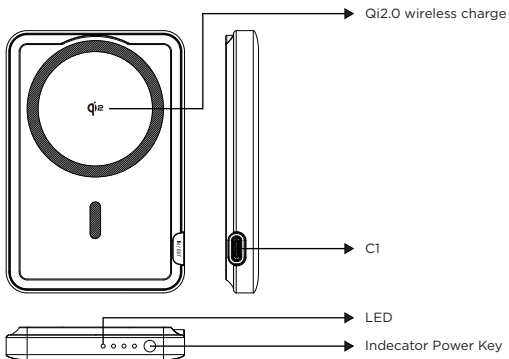
5100 mAh Qi2 20W Magnetic Battery Pack

Portable battery with wireless charger



Product: 5100 Qi2 20W Magnetic Battery Pack
Model: ABP-5100A1 WTA
Manufacturer: Delta Electronics Inc.

Rated Capacity	5V / 3170mAh; 9V / 1760mAh; 12V / 1290mAh
Input DC Voltage/Current	USB-PD - 5V/9V/12V support
Output DC Voltage/Current	USB-PD - 5V/9V/12V support



Safety and Warning Instructions

The following safety guidelines are designed to ensure safety and optimal performance of your Innergie product, to ensure reliable operation:

- **Please strictly follow all operating instructions and warnings.**
- **Carefully read all instructions in the user manual before operating the product.**
- **Do not disassemble the device; there are no user-serviceable parts inside, and disassembly will void the warranty.**
- **Do not use this product in damp environments or under wet conditions.**
- **Do not use the product near high-temperature heat sources, exhaust outlets, or under direct sunlight for prolonged periods. The product should be used in environments with a temperature range of 5°C - 35°C (41°F - 95°F).**
- **Do not cover the product with paper or other materials, as this may obstruct its cooling function.**
- **Warning: Improper handling of the battery in this device may cause fire or chemical burns. Do not disassemble, heat, or incinerate. Dispose of used batteries promptly and keep out of reach of children. Do not disassemble, and never throw into fire.**
- **When not in use, charge the power bank once every three months to keep the battery active and ensure a longer battery life.**

Warranty and Limitations:

We guarantee that this product is free from material and workmanship defects under normal use conditions for one year from the date of purchase. During the warranty period, defective products may be returned for repair or replacement. The warranty does not cover accidental damage, normal wear and tear, incidental losses, or usage beyond the operating instructions in the user manual. To the maximum extent permitted by law, Innergie's liability is limited to the replacement of the defective product.

- **Charging cables are consumable items and are not covered under warranty.**

"Certified low-power radio-frequency equipment must not have its frequency, power, or original design features and functions modified without approval from the company, business, or user. The use of low-power radio-frequency equipment must not compromise flight safety or interfere with lawful communications. If interference is detected, the equipment should be immediately stopped and may only resume use once the interference is resolved. Lawful communications refer to radio communications operating in compliance with telecommunications regulations. Low-power radio-frequency equipment must tolerate interference from lawful communications or equipment for industrial, scientific, and medical purposes."